



Model Name **MX806ST Digital Projector**

Unique selling point

- * SmartEco Power Saving Technology
- * 0.61 Short Throw Ratio
- * Designed for Education & IWB
- * Blu-ray Full HD 3D support
- * PointWrite Interactive Solution Compatible

Trade Mark



Projection System	DLP		
Native Resolution	XGA(1024X768)		
Brightness	3000AL		
Contrast Ratio	13000:1		
Display Color	1.07 Billion Colors		
Lens	F=2.6 f=6.9mm		
Aspect Ratio	Native 4:3 (5 aspect ratio selectable)		
Throw Ratio	0.61		
Clear Image Size / Maximum Image Size	60"~120" / 300"		
Zoom Ratio	Fixed		
Lamp Type	190W		
Lamp Mode (Normal/Economic/SmartEco/LampSave)	4500/6000/6500/10000 hours		
Keystone Adjustment	1D, Vertical +/- 30 degrees		
Projection Offset	130% ±5%		
Resolution Support	VGA(640 x 480) to UXGA(1600 x 1200)		
Horizontal Frequency	15~102KHz		
Vertical Scan Rate	23~120Hz		
Compatibility	HDTV Compatibility	480i, 480p, 576i, 576p, 720p, 1080i, 1080p	
	3D Compatibility	Frame Sequential: Up to 720p	
	(Please refer to User's Manual for detailed support timing.)	Frame Packing: Up to 24 Hz	1080p
		Side by Side Half: Up to 60Hz	1080p
		Top Bottom: Up to 60Hz	1080p
Interface	Computer in (D-sub 15pin)	x 2(Share with component)	
	Monitor out (D-sub 15pin)	x 1	
	Composite Video in (RCA)	NA	
	S-Video in (Mini DIN 4pin)	NA	
	HDMI	x 1	
	Audio in (Mini Jack)	NA	
	Audio out (Mini Jack)	NA	
	Audio L/R in (RCA)	NA	
	Speaker	NA	
	USB (Type Mini B)	x 1 (Download & page/down)	
	RS232 (DB-9pin)	x 1	
	LAN (RJ45)	NA	
Dimensions	Dimensions(W x H x D)	287.3 x 114.4 x 232.6mm	
	Weight	2.6kg(5.73bs)	
Power	Power Supply	AC100 to 240 V, 50 to 60 Hz	
	Power Consumption	270W(typical), Standby<0.5W	
Audible Noise	32/28 dBA (Normal/Economic mode)		
On-Screen Display Languages	Arabic/Bulgarian/ Croatian/ Czech/ Danish/ Dutch/ English/ Finnish/ French/ German/ Greek/ Hindi/ Hungarian/ Italian/ Indonesian/ Japanese/ Korean/ Norwegian/ Polish/ Portuguese/ Romanian/ Russian/ Simplified Chinese/Spanish/ Swedish/ Turkish/ Thai/ Traditional Chinese (28 Languages)		
Picture Modes	Dynamic/Presentation/sRGB/Cinema(3D)/User 1/User 2		
Accessories	Standard	Optional	
	Lens Cover	PointWrite	PW02
	Remote Control w/ Battery	FingerTouch	PT01
	Power Cord (by region)	Spare Lamp Kit	5J9A05.001
	User Manual CD	Ceiling Mount	CM00G3
	Quick Start Guide	Wall Mount	WM06G3
	Warranty Card (by region)	Carry bag	5J3T09.001
	VGA(D-sub 15pin) Cable		

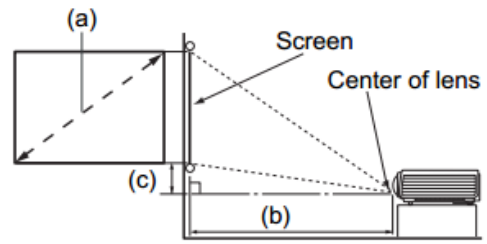
*Lamp life results will vary depending on environmental conditions and usage. Actual product's features and specifications are subject to change without notice.

MX806ST Digital Projector

Distance Chart

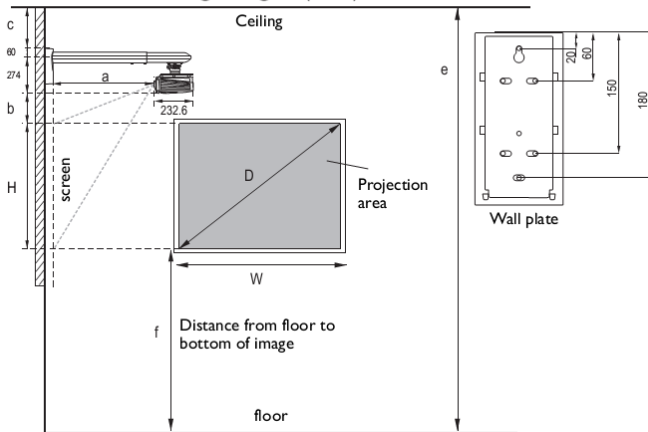
The screen aspect ratio is 4:3 and the projected picture is in a 4:3 aspect ratio

(a) Screen size				(b) Distance from screen (mm)	(c) Vertical offset (mm)
Diagonal		Height (mm)	Width (mm)		
Inches	mm				
60	1524	914	1219	744	137
80	2032	1219	1626	992	183
100	2540	1524	2032	1240	229
120	3048	1829	2438	1487	274
150	3810	2286	3048	1859	343
180	4572	2743	3658	2231	411
200	5080	3048	4064	2479	457
220	5588	3353	4470	2727	503
240	6096	3658	4877	2975	549
270	6858	4115	5486	3346	617
300	7620	4572	6096	3719	686



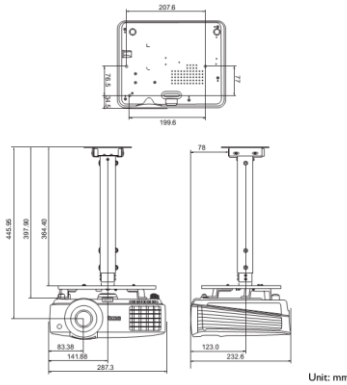
Wall mount/Ceiling mount Chart

$$\text{Minimum Ceiling Height (mm)} = f + H + b + 60 + 274 + c$$



Ceiling mount installation

Ceiling Mount screw: M4
(Max L = 25 mm; Min L = 20 mm)



Unit: mm

Dimension

